

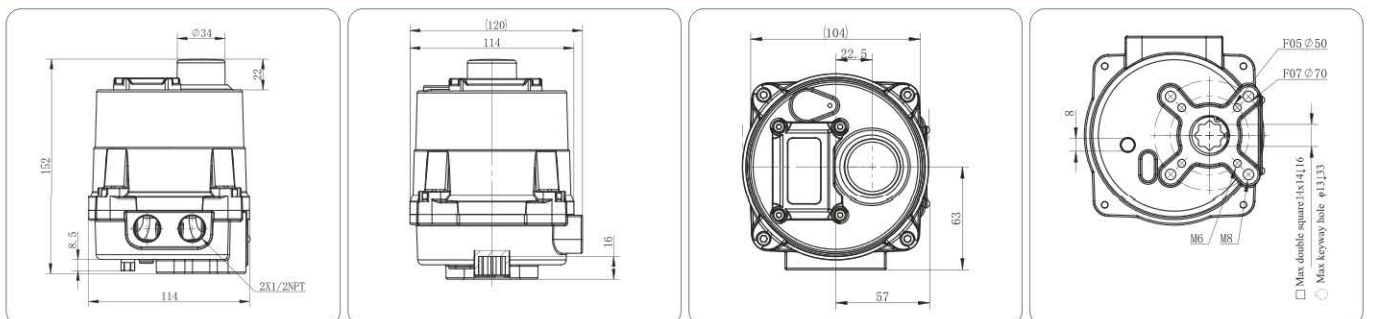
■ EP50 General Parameter / Outline Drawing

General Parameter	0~90° Travel Time (S)	Model		P1	P2
		Voltage		35N·m	50N·m
		24V AC/DC		11	14
		110V AC		8	12
220V AC		8	12		
Control Mode	E-Electronic on-off	S-Smart on-off		R-Smart modulating	
Rotation Angle	0~90°	0~90~180°/0~270°		0~90°	
Duty Cycle	S2 100% (15min)			S4 30%	
Environment Temp.	-13~158° F	-25~70°C			
Weight	2.1kg				
Field Operation Modular	N	Y		Y	
Manual Operation Type	Wrench				
Protection Grade	IP67/NEMA 4/NEMA4X/NEMA6/NEMA6P				
Electric Connection	2*1/2NPT cable gland with 1m wire				
Motor	Brushless DC motor				
Multi-level protection	Double-level over heat protection (motor/interior actuator) & Over current protection				
Indicator	360° Visible indicator	360° Visible LED indicator	360° Visible indicator		
Heater	15W, The heater works when the ambient temperature is lower than 15 °C				
Corrosion Protection	Aluminium alloy enclosure with ISO 12944 C03-02 standard powder painting				
Feedback Signal	Open/Close/Error	3 programmable relays output feedback signals			
Bus Type	Modbus				
Optional Function	Bluetooth/IP68/360° Visible LED indicator/25°C heater/C05 corrosion protection				

Modulating type parameter	Regulating Number	Up to 5 million times, 1200 times starts max/hour			
	Step Accuracy	0.62%/ 160 steps			
	Dead Zone	±0.5% (0.5°)			
	Reaction Time	<1S			
	Linearity	0.02			
	Bus Type	Modbus			
	Input Signal	1-5V,2-10V,4-20mA			
	Output Signal	1-5V,2-10V,4-20mA			
	Feedback Signal	3 programmable relays output feedback signals			

Model	Power	Rated current(A)				Locked rotor current(A)			
	W	DC24V	AC24V	AC110V	AC220V	DC24V	AC24V	AC110V	AC220V
EP50P1-P2	15	1.4	1.9	0.65	0.45	3.75	3.15	1.55	0.78

EP50P1-P2



■ EP/EA Series General Parameter

Series	Model	Max Torque(N·m)			Max Torque(in-lb)			0~90°Travel time (S)				
		AC/DC 24V	AC110V AC220V	AC110V AC220V AC380 3PH	AC/DC 24V	AC110V AC220V	AC110V AC220V AC380 3PH	AC/DC 24V	AC110V AC220V	50HZ AC110V AC220V 3PH	60HZ AC110V AC220V 3PH	50HZ AC380 3PH
EP	EP20P1	10	10	/	89	89	/	9	6	/	/	/
	EP20P2	14	14	/	124	124	/	11	8	/	/	/
	EP20P3	20	20	/	177	177	/	15	11	/	/	/
	EP50P1	35	35	/	310	310	/	11	8	/	/	/
	EP50P2	50	50	/	443	443	/	14	12	/	/	/
	EP100P1	80	80	/	708	708	/	20	16	/	/	/
	EP100P2	100	100	/	885	885	/	27	18	/	/	/
	EP200P1	150	150	/	1328	1328	/	22	8	/	/	/
	EP200P2	200	200	/	1770	1770	/	31	10.5	/	/	/
	EP200P3	250	250	/	2213	2213	/	35	13	/	/	/
	EP200P4	/	300	/	/	2655	/	/	15	/	/	/
	EP200P5	/	400	/	/	3540	/	/	17	/	/	/
	EP500P1	/	300	/	/	2655	/	/	14	/	/	/
	EP500P2	/	400	/	/	3540	/	/	16	/	/	/
	EP500P3	/	500	/	/	4425	/	/	19	/	/	/
	EP500P4	/	650	/	/	5753	/	/	22	/	/	/
	EP500P5	/	800	/	/	7080	/	/	27	/	/	/
EA	EA200P1	/	/	150	/	/	1328	/	/	30	25	30
	EA200P2	/	/	200	/	/	1770	/	/	30	36	36
	EA500P1	/	/	300	/	/	2655	/	/	19	23	23
	EA500P2	/	/	400	/	/	3540	/	/	25	30	30
	EA500P3	/	/	500	/	/	4425	/	/	30	35	35

Note: 1.The motor for EP series is Brushless DC motor and for EA series is AC asynchronous motor.
2.The travel time for 60Hz is 1.2 times faster than 50Hz.

