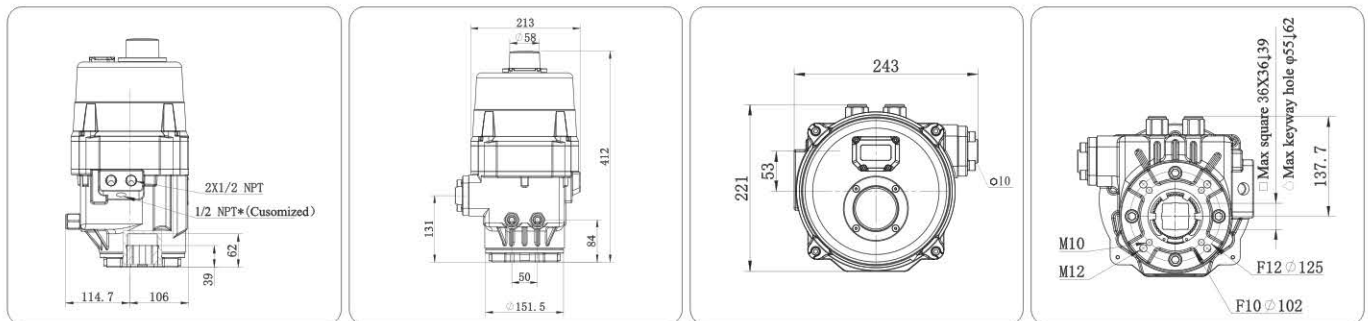


## ■ EPQ515/525/535/545 General Parameter / Outline Drawing

Model	EPQ515	EPQ525	EPQ535	EPQ545
Max Torque	300N·m	400N·m	500N·m	650N·m
Voltage	AC110V/AC220V	AC110V/AC220V	AC110V/AC220V	AC110V/AC220V
Rated Current(A)	4.3A/2.3A	4.8A/2.4A	5.9A/2.9A	6.9A/3.4A
Locked-rotor current(A)	5.6A/3.0A	6.3A/3.1A	7.7A/3.7A	9.0A/4.4A
0~90° Travel Time	≤5S			
Motor power	550W			
Control Mode	E-Electronic on-off		S-Smart on-off	
Rotation Angle	0~90°		0~90~180°/0~270°	
Duty Cycle	30%			
Environment Temp.	-13~149°F		-25~65°C	
Weight	24.8kgs			
Field Operation Modular	N		Y	
Manual Operation Type	Wrench			
Protection Grade	IP67/NEMA 4/NEMA4X/NEMA6/NEMA6P			
Electric Connection	2*1/2NPT			
Motor	Brushless DC motor			
Multi-level protection	Double-level over heat protection(motor/interior actuator)&Over current protection			
Indicator	360° Visible indicator / 360° Visible LED indicator			
Heater	25W,The heater works when the ambient temperature is lower than 15 °C			
Corrosion Protection	Aluminium alloy enclosure with ISO 12944 C03-02 standard powder painting			
Feedback Signal	Open/Close/Error		3 programmable relays output feedback signals	
Bus Type	Modbus			
Optional Function	Bluetooth/IP68 /25°C heater/C05 corrosion protection			

EPQ515-545



## ■ EPQ 0~90° ≤5 Sec Quick Open Series General Parameter

Series	Model	0~90°Travel time(S)		Max Torque(N·m)		Max Torque(in-lb)	
		AC/DC24V	AC110V AC220V	AC/DC24V	AC110V AC220V	AC/DC24V	AC110V AC220V
EPQ	EPQ115	≤5	≤5	8	8	71	71
	EPQ215	≤5	≤5	23	23	204	204
	EPQ315	≤5	≤5	50	50	443	443
	EPQ415	≤5	≤5	80	80	708	708
	EPQ425	≤5	≤5	120	150	1062	1328
	EPQ515	/	≤5	/	300	/	2655
	EPQ525	/	≤5	/	400	/	3540
	EPQ535	/	≤5	/	500	/	4425
	EPQ545	/	≤5	/	650	/	5753

